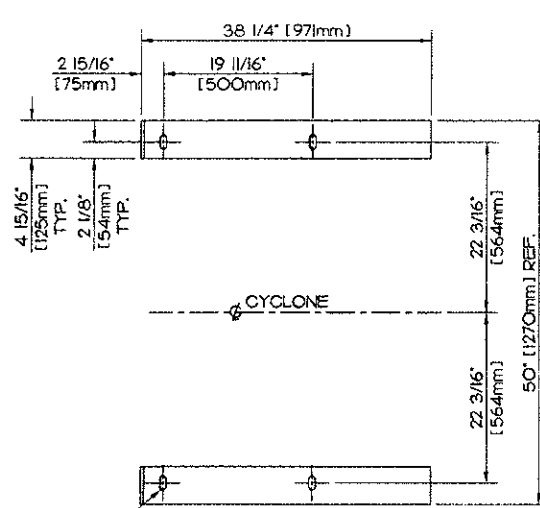
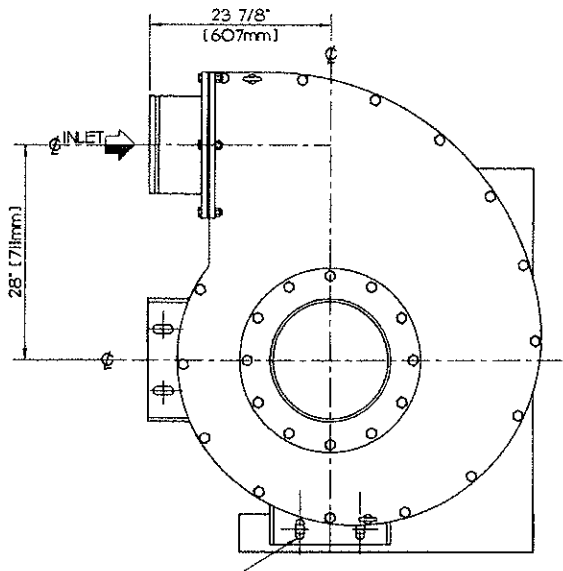
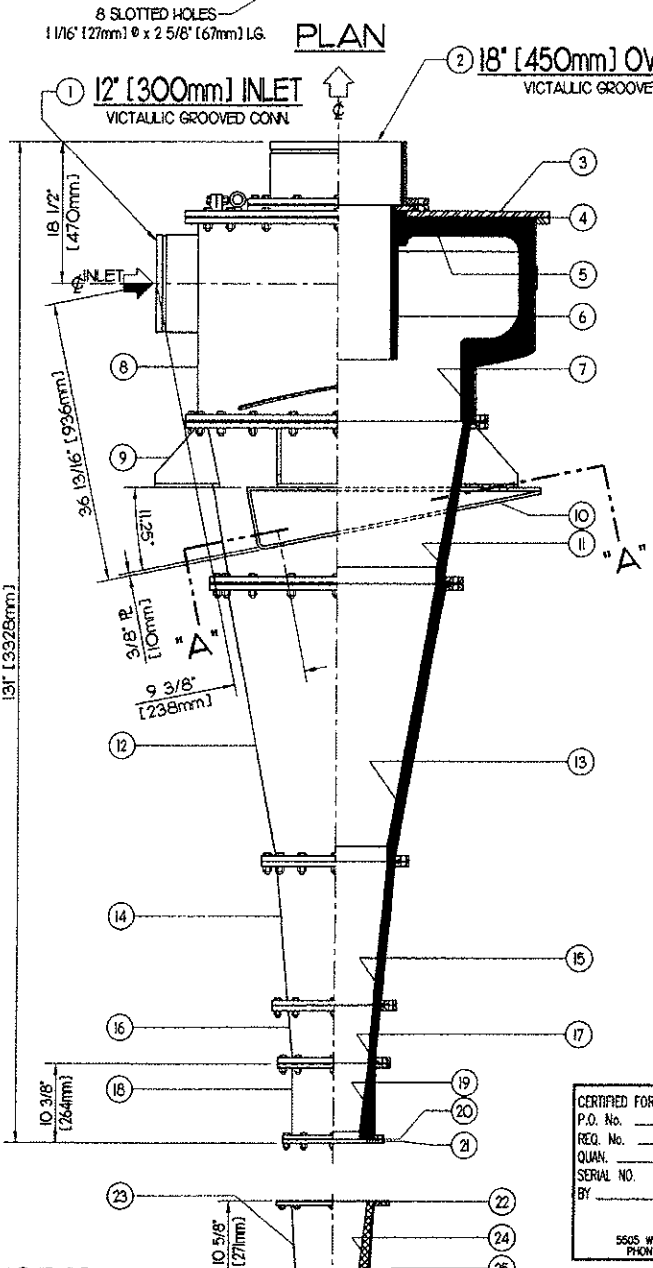


Not the actual Cyclone. Submitted as representative of the GMax Model only!



4 SLOTTED HOLES
 Ø13/16\" (22mm) X 1 7/8\" (48mm) LG. SECTION "A-A"



ITEM NO.	PART NUMBER	DESCRIPTION
1.	C8507-RN-NG-12	INLET FLANGED ADAPTER, 12" SIZE, VICTALLIC GROOVED, NEOPRENE LINED STEEL.
2.	C8509ST-RN-18	OVERFLOW FLANGED ADAPTER, 18" SIZE, VICTALLIC GROOVED, NEOPRENE LINED STEEL.
3.	G33-31A-ST	TOP COVER PLATE, STEEL.
4.	G7-1041-RN	GASKET, NEOPRENE.
5.	G33-32-BPC/RN	TOP COVER PLATE LINER, BPC & NEOPRENE.
6.	C8508ST-RG-14	VORTEX FINDER, 14" SIZE, GUM RUBBER LINED STEEL, SIZES AVAILABLE: 8", 9", 10", 12", 13", 14", 15" & 16".
7.	G33-23-BPC/RN	INLET HEAD LINER, BPC & NEOPRENE.
8.	G33-21A-ST	INLET HEAD HOUSING, STEEL.
9.	C8506-ST-MF	CONE SECTION WITH MOUNTING LUGS, STEEL.
10.	C8567-R3310-M-P	MOUNTING FRAME, STEEL.
11.	C8503R-BPC/RN	CONE LINER, BPC & NEOPRENE.
12.	C7535-ST	CONE HOUSING, STEEL.
13.	C7523R-BPC/RN	CONE LINER, BPC & NEOPRENE.
14.	C8543-ST	CONE HOUSING, STEEL.
15.	C8542R-BPC/RN	CONE LINER, BPC & NEOPRENE.
16.	G61-H1191A-ST	CONE SECTION, STEEL.
17.	G62111191BPC/RN	CONE LINER, BPC & NEOPRENE.
18.	G81-90A-ST	APEX HOUSING, STEEL.
19.	G82-90-RN-7	APEX INSERT, 7" SIZE, NEOPRENE, SIZES AVAILABLE: 7" THRU 9" IN .25" INCREMENTS.
20.	104G-RN	GASKET, NEOPRENE.
21.	1069SPC-ST-9	APEX RETAINER PLATE, STEEL.

NOTES:
 THE CYCLONE WILL BE ASSEMBLED WITH TEMPORARY APEX ASSEMBLY G81-90A, LATER ON CUSTOMER WILL BE SUPPLIED WITH FIXED APEX ASSEMBLY G86-90 & CERAMIC APEX INSERTS & REQUIRED GASKETS AT NO CHARGE, EXCEPT FOR FREIGHT CHARGES.

22.	G7-1012-RN	GASKET, NEOPRENE.
23.	G86-90B-ST	APEX HOUSING, STEEL.
24.	G82-90B-CR-7	APEX INSERT, 7" SIZE, SILICON CARBIDE, SIZES AVAILABLE: 7" THRU 8" IN .25" INCREMENTS.
25.	G7-1011-RN	GASKET, NEOPRENE.

NOTES:
 1. PAINT: EN-SPEC-4-3041
 2. BARE WEIGHT: 2131# [967kg]
 SHIPPING WEIGHT: 2411# [1094kg]

G86-90B FIXED APEX ASSEMBLY WITH G82-90B-CR-SIZE INSERT
 THIS SHEET IS THE PROPERTY OF FLSMITH KREBS, TUCSON, ARIZONA, AND IS LOANED UNDER THE EXPRESS CONDITION THAT IT IS NOT TO BE USED IN ANY MANNER DIRECTLY OR INDIRECTLY DETRIMENTAL TO FLSMITH KREBS.

CERTIFIED FOR _____
 P.O. No. _____ S.G. No. _____
 REQ. No. _____ MODEL _____
 SERIAL No. _____
 BY _____ DATE _____

FLSMITH KREBS
 5505 WEST GILLETTE ROAD TUCSON, ARIZONA, 85743
 PHONE: (520) 744-8200 FAX: (520) 744-8300

TOLERANCE SCHEDULE: UNLESS OTHERWISE SPECIFIED.

+24" = ±1/4"	+24" thru 100" = ±1/2"	+100" = ±1"
[-400mm = ±6mm]	[-400mm thru 2500mm = ±12mm]	[-2500mm = ±25mm]

REF. DWG: R3310-M-P

7	4-01-09	CHANGED ITEM NO. 17 FROM G62-11191-BPC/RN TO G6211191BPC/RN
6	1-2-08	CHANGED INLET ADAPTER SIZE FROM 14" TO 12" & O/FLOW ADAPTER FROM 16" TO 18"
5	11-07-08	CORRECTED ITEM NO. 22 TO BE GASKET PN G7-1012-RN
4	9/24/08	CHANGED ALL LINES TO BPC/RN AND INLET AND OVERFLOW TO NEOPRENE
3	9/30/08	ADD "-2" TO "MOOT-4" ON CUSTOMER TITLE BLOCK
2	8/27/08	ADDED CUSTOMER PROJECT BLOCK
1	8/2/08	ADDED TEMPORARY APEX ASSEMBLY G81-90A

NO. DATE: _____ REVISION DESCRIPTION

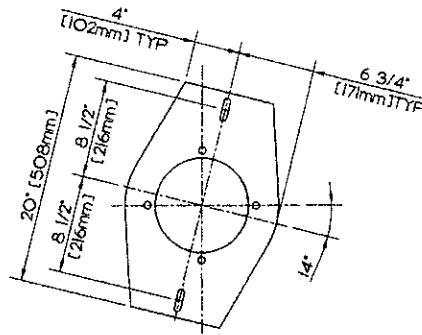
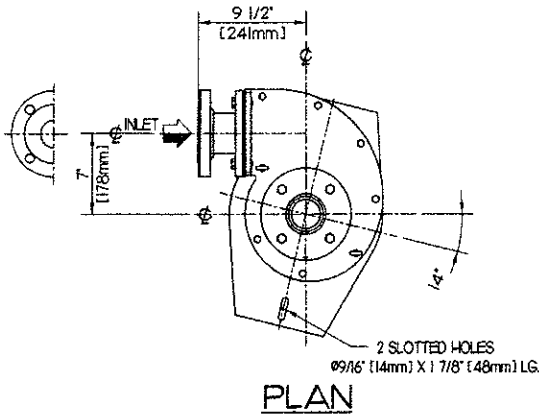
REVISION STATUS	DATE	APP'D. BY	S.O.
Dwn. By: TFP	4-1-09	TFP	8-12-08
App'd. By: [Signature]			LJR DAN

Scale: _____ Date: _____ App'd. By: _____ S.O. _____

FLSMITH KREBS | 5505 WEST GILLETTE ROAD TUCSON, AZ 85743 www.krebs.com

GENERAL PARTS ARRANGEMENT
 KREBS CYCLONE MODEL GMAX33-H-3135 WITH TEMPORARILY APEX ASSEMBLY NO. G81-90A LATER PROVIDED FIXED APEX ASSEMBLY NO. G86-90B

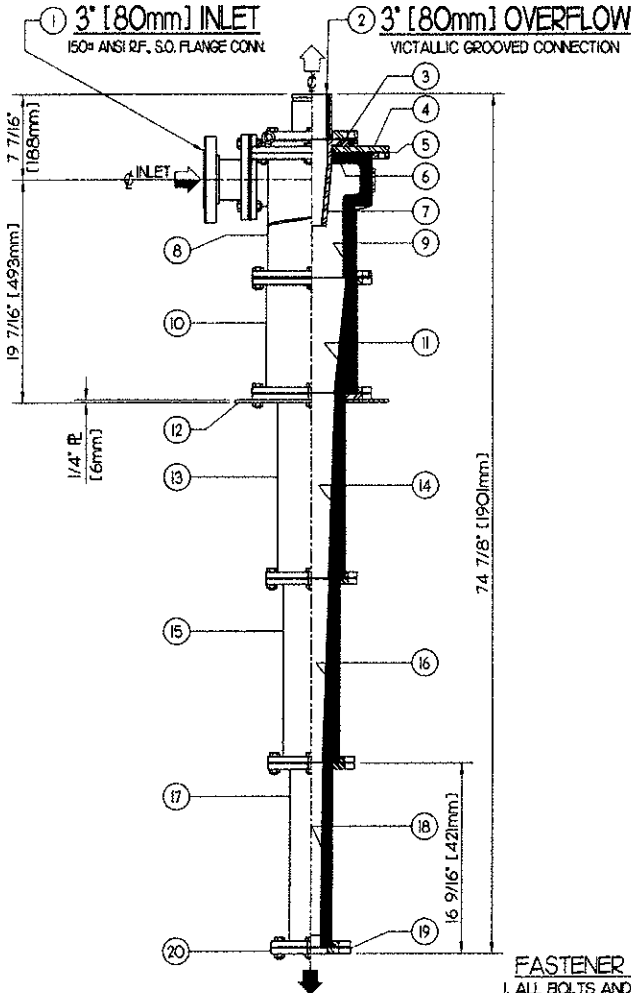
C © FLSMITH KREBS 2009 DWG. NO. S3135-R3310-MHP-B



MOUNTING PL. PLAN

ELREKA MOLY, LLC

CUSTOMER P.O. NO: 07114-M007 / SERIAL NO: g1088251-g1088291



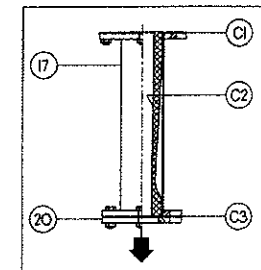
ITEM No	PART NUMBER	DESCRIPTION
1.	62F-RN-NG-3F	INLET FLANGED ADAPTER, 150# ANSI RF., S.O. FLANGE CONN., 3" SIZE, NEOPRENE LINED STEEL.
2.	105F-RN-3	OVERFLOW FLANGED ADAPTER, VICTALLIC GROOVED 3" SIZE, NEOPRENE LINED STEEL.
3.	65G-RN	GASKET, BELOW VORTEX FINDER, NEOPRENE
4.	G6-31A-ST	TOP COVER PLATE, STEEL.
5.	G7-1039-RN	GASKET, NEOPRENE
6.	G6-32-RN	TOP COVER PLATE LINER, NEOPRENE
7.	65-N4-1.75	VORTEX FINDER, 1.75" SIZE, NI-HARD, SIZES AVAILABLE: 1" THRU 2.5" IN .25" INCREMENTS & 3".
8.	G6-21B-ST	INLET HEAD, STEEL.
9.	G6-23-RN	INLET HEAD LINER, NEOPRENE
10.	G6-126140A-ST	CYLINDER SECTION, STEEL.
11.	G62-126140-RN	CYLINDER SECTION LINER, NEOPRENE.
12.	G6-43A-RO605M-F	MOUNTING PLATE, STEEL.
13.	G61-044130A-ST	CYLINDER SECTION, STEEL.
14.	G62-044130-RN	CYLINDER SECTION LINER, NEOPRENE.
15.	G61-043120A-ST	CYLINDER SECTION, STEEL.
16.	G62-043120-RN	CYLINDER SECTION LINER, NEOPRENE.
17.	G81-20A-ST	APEX HOUSING, STEEL.
18.	G82-20-RN-1.75	APEX INSERT, 1.75" SIZE, NEOPRENE, SIZES AVAILABLE: .25", .5", .625", .75", .875", 1", 1.25", 1.5", 1.75" & 2".
19.	G7-1026-RN	GASKET, NEOPRENE.
20.	G83-20A-ST	APEX INSERT RETAINER PLATE, STEEL.

NOTE
 FOLLOWING PARTS WILL BE PROVIDED AT NO CHARGE EXCEPT APPROPRIATE FREIGHT CHARGES ONCE CORRECT SIZE OF APEX IS DETERMINED.

C1.	G7-1022-RN	GASKET, NEOPRENE
C2.	G82-20-CR-(SIZE)	APEX INSERT, SILICON CARBIDE, SIZES AVAILABLE: .25" THRU 2" IN .25" INCREMENTS
C3.	G7-1026-RN	GASKET, NEOPRENE

FASTENER REQUIREMENTS						
CONNECTION	DESCRIPTION	SIZE	LENGTH	QTY	SPARE	TOTAL
2 TO 4	HEX BOLT	1/2-13	1 1/4"	4	1	5
4 TO 8	HEX BOLT & NUT	1/2-13	2"	6	2	8
1 TO 4 & 8	HEX BOLT	1/2-13	1 1/2"	4	1	5
6 TO 10	HEX BOLT & NUT	1/2-13	2"	4	1	5
10 TO 12 & 13	HEX BOLT & NUT	1/2-13	2 1/4"	4	1	5
13 TO 15	HEX BOLT & NUT	1/2-13	2 1/4"	4	1	5
15 TO 17	HEX BOLT & NUT	1/2-13	2 1/4"	4	1	5
17 TO 19	HEX BOLT & NUT	1/2-13	2 1/4"	4	1	5
	EYE BOLT & HEX NUT	1/2-13	2"	2	0	2
	WASHERS	1/2"		32	2	34

- FASTENER NOTES:**
- ALL BOLTS AND NUTS, TO BE ANSI GRADE 5 ZINC PLATED. (OTHER GRADE/PLATING CAN BE OFFERED)
 - WASHERS TO BE USED ON ALL SLOTTED HOLES.
 - PLEASE NOTIFY CUSTOMER SERVICES OF ANY DEVIATION IN THIS LIST.
 - NO PAYMENT FOR CUSTOMER MODIFICATIONS, BACK CHARGES, OR ANY OTHER CHANGES WILL BE ACCEPTED, UNLESS PREVIOUSLY AUTHORIZED BY FLSMIDTH KREBS.
 - QUANTITIES SHOWN ARE FOR THE ASSEMBLY OF ONE CYCLONE.



G81-20A FIXED APEX ASSEMBLY WITH G82-20-CR-(SIZE) INSERT

CERTIFIED FOR _____
 P.O. No. _____
 REQ. No. _____ S.O. No. _____
 QUAN. _____ MODEL _____
 SERIAL NO. _____
 BY _____ DATE _____

FLSMIDTH KREBS
 5505 WEST GILLETTE ROAD TUCSON, ARIZONA 85743
 PHONE: (520) 744-8200 FAX: (520) 744-8300

3	12-0-08	ADDED PART NO. G7-1039-2N & BOLTS LIST
2	6/27/08	ADDED CUSTOMER PROJECT BLOCK
1	7/22/08	CHANGED MATERIAL OF LINER FOR ITEM NO 1 & 2 TO NEOPRENE
NO. DATE:	REVISION DESCRIPTION	
REVISION STATUS		
Dwn. By: NP	5505 WEST GILLETTE ROAD	TUCSON, AZ 85743
Date: 12/10/08	Scale: LLA	Dwn. By: Date: 7-7-08
Apprd. By:	Apprd. By: BTO DAN	S.O.
GENERAL PARTS ARRANGEMENT KREBS CYCLONE MODEL GMAX6-3193 WITH APEX ASSEMBLY NO. G81-20A		
		DWG. NO. S3193-RO605-M-F

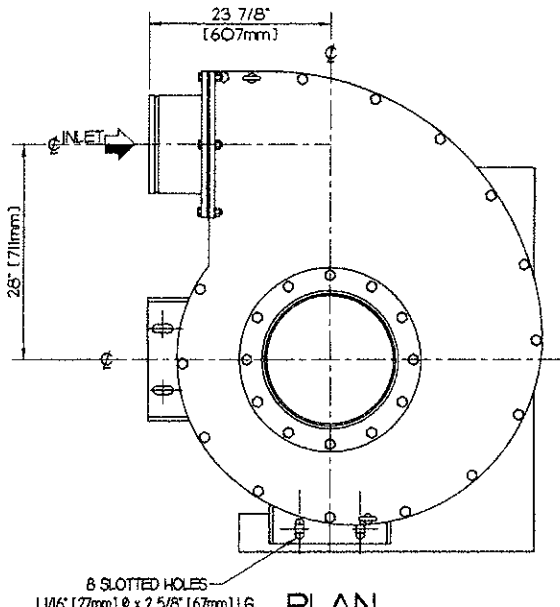
NOTES:

- PAINT: EN-SPEC-4-304L
- BARE WEIGHT: 231 # [105 kg]
 SHIPPING WEIGHT: 378 # [172 kg]

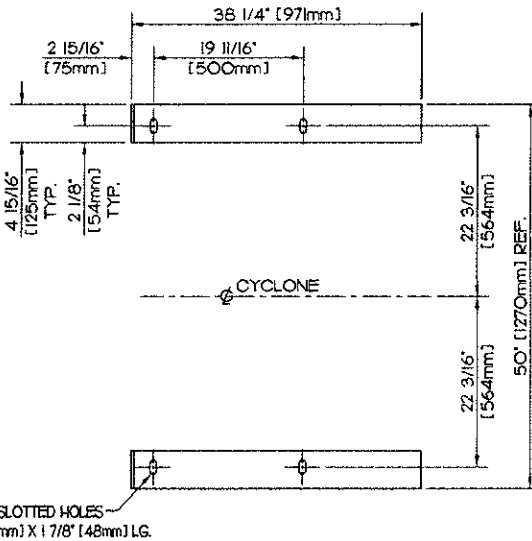
THIS SHEET IS THE PROPERTY OF FLSMIDTH KREBS, TUCSON, ARIZONA, AND IS LOANED UNDER THE EXPRESS CONDITION THAT IT IS NOT TO BE USED IN ANY MANNER DIRECTLY OR INDIRECTLY DETRIMENTAL TO KREBS ENGINEERS.

TOLERANCE SCHEDULE, UNLESS OTHERWISE SPECIFIED:

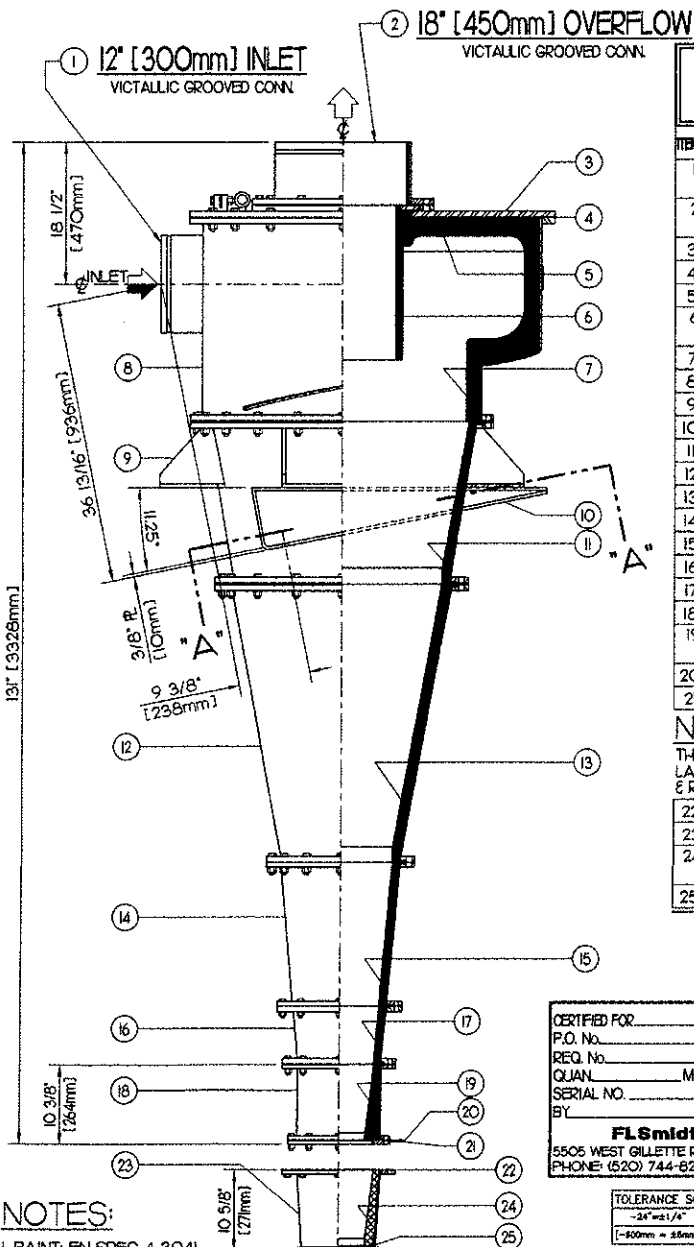
-24" to +1/4"	+24" to +1/2"	+1/2" to +1"
(-600mm to 6mm)	(600mm to 125mm)	(125mm to 25mm)



PLAN



SECTION "A-A"



NOTES:
 1. PAINT: EN-SPEC-4-3041
 2. BARE WEIGHT: 213# [967kg]
 SHIPPING WEIGHT: 241# [1094kg]

G84-90B FIXED APEX ASSEMBLY WITH G82-90B-CR-SIZED INSERT

CERTIFIED FOR _____
 P.O. No. _____ S.O. No. _____
 REQ. No. _____ MODEL _____
 SERIAL NO. _____ DATE _____
FLSmidth KREBS
 5505 WEST GILLETTE ROAD TUCSON, ARIZONA 85743
 PHONE: (520) 744-8200 FAX: (520) 744-8300

1. 23 7/8" (607mm)
 2. 2 15/16" (75mm)
 3. 19 11/16" (500mm)
 4. 38 1/4" (971mm)
 5. 4 15/16" (125mm) TYP.
 6. 2 1/8" (54mm) TYP.
 7. 22 3/16" (564mm)
 8. 22 3/16" (564mm)
 9. 50" (1270mm) REF.

ITEM NO.	PART NUMBER	DESCRIPTION
1.	C8507-RN-NG-12	INLET FLANGED ADAPTER, 12" SIZE, VICTALLIC GROOVED, NEOPRENE LINED STEEL.
2.	C8509ST-RN-18	OVERFLOW FLANGED ADAPTER, 18" SIZE, VICTALLIC GROOVED, NEOPRENE LINED STEEL.
3.	G33-31A-ST	TOP COVER PLATE, STEEL.
4.	G7-1041-RN	GASKET, NEOPRENE.
5.	G33-32-BPC/RN	TOP COVER PLATE LINER, BPC & NEOPRENE
6.	C8508ST-RG-14	VORTEX FINDER, 14" SIZE, GUM RUBBER LINED STEEL, SIZES AVAILABLE: 8", 9", 10", 12", 13", 14", 15" & 16".
7.	G33-23-BPC/RN	INLET HEAD LINER, BPC & NEOPRENE
8.	G33-21A-ST	INLET HEAD HOUSING, STEEL.
9.	C8506-ST-MF	CONE SECTION WITH MOUNTING LUGS, STEEL.
10.	C8567-R3310-M-F	MOUNTING FRAME, STEEL.
11.	C8503R-BPC/RN	CONE LINER, BPC & NEOPRENE
12.	C7535-ST	CONE HOUSING, STEEL.
13.	C7523R-BPC/RN	CONE LINER, BPC & NEOPRENE
14.	C8543-ST	CONE HOUSING, STEEL.
15.	C8542R-BPC/RN	CONE LINER, BPC & NEOPRENE
16.	G61-11191A-ST	CONE SECTION, STEEL.
17.	G62-11191-BPC/RN	CONE LINER, BPC & NEOPRENE
18.	G81-90A-ST	APEX HOUSING, STEEL.
19.	G82-90-RN-7	APEX INSERT, 7" SIZE, NEOPRENE, SIZES AVAILABLE: 7" THRU 9" IN .25" INCREMENTS.
20.	104G-RN	GASKET, NEOPRENE.
21.	1069SPC-ST-9	APEX RETAINER PLATE, STEEL.

NOTES:
 THE CYCLONE WILL BE ASSEMBLED WITH TEMPORARY APEX ASSEMBLY G81-90A. LATER ON CUSTOMER WILL BE SUPPLIED WITH FIXED APEX ASSEMBLY G86-90 & CERAMIC APEX INSERTS & REQUIRED GASKETS AT NO CHARGE, EXCEPT FOR FREIGHT CHARGES.

22.	G7-1012-RN	GASKET, NEOPRENE.
23.	G86-90B-ST	APEX HOUSING, STEEL.
24.	G82-90B-CR-7	APEX INSERT, 7" SIZE, SILICON CARBIDE, SIZES AVAILABLE: 7" THRU 8" IN .25" INCREMENTS.
25.	G7-1011-RN	GASKET, NEOPRENE.

REF. DWG: R3310-M-F
 7 12-06 CHANGED INLET ADAPTER SIZE FROM 14" TO 12" & O/FLOW ADAPTER FROM 18" TO 18"
 6 10-07-08 CORRECTED ITEM NO. 22 TO BE GASKET FN G7-1012-RN
 5 9-24-08 CHANGED ALL LINES TO BPC/RN AND INLET AND OVERFLOW TO NEOPRENE
 4 9-10-08 ADD "4" TO "1007-4" ON CUSTOMER TITLE BLOCK
 3 8-27-08 ADDED CUSTOMER PROJECT BLOCK
 2 8-5-08 ADDED TEMPORARY APEX ASSEMBLY G81-90A
 1 8-2-08 ADDED AN "A" TO DWG NAME AND REMOVED g108815i THRU g108824i

NO.	DATE	REVISION DESCRIPTION
1		

REVISION STATUS
 Dwg. By: TFP
 Date: 1-21-09
 Scale: ---
 Dwn. By: Date: TFP 7/1/08
 Appd. By: S.O. LJR DAN

FLSMIDTH KREBS
 5505 WEST GILLETTE ROAD
 TUCSON, AZ 85743
 www.krebs.com

GENERAL PARTS ARRANGEMENT
 KREBS CYCLONE MODEL GMAX33-4-3135
 WITH TEMPORARILY APEX ASSEMBLY NO. G81-90A
 LATER PROVIDED FIXED APEX ASSEMBLY NO. G86-90B

FLSMIDTH KREBS 2009 DWG. NO. S3135-R3310-M-F-A